

LBC 14x0/x0 MK Volume Controls and LBC 1430/10 Program Selector

www.boschsecurity.com



BOSCH
Invented for life



- ▶ 12 W, 36 W and 100 W versions
- ▶ Available in power-save or failsafe versions
- ▶ Built-in 24 VDC override relay
- ▶ Continuous rotating system
- ▶ Suitable for 3-wire and 4-wire systems

Bosch introduces a full range of volume controls and program selectors to provide a complete public address solution.

Functions

Operation

Public address systems are often used for both announcements and background music distribution. Volume controls can be used to adjust the level locally. In addition to volume control, program selectors can also be installed to select five different programs locally. In the event of an (emergency) announcement, the built-in relay ensures that the message is broadcast at a preset level, independent of the local volume setting.

The volume controls come in three versions according to power rating: 12 W, 36 W, and 100 W. The total load of the loudspeakers connected to a volume control may not exceed the rated power.

Each of the three versions is also available in two versions. One is a power-saving, 4-wire volume override (/10 models), where the override relay is activated during an emergency call. The other is a failsafe, 4-wire volume override (/20 models), where the override relay is deactivated during an emergency call.

The design and color are unobtrusive in any interior. Ease of installation, operation and reliability is optimized in the design.

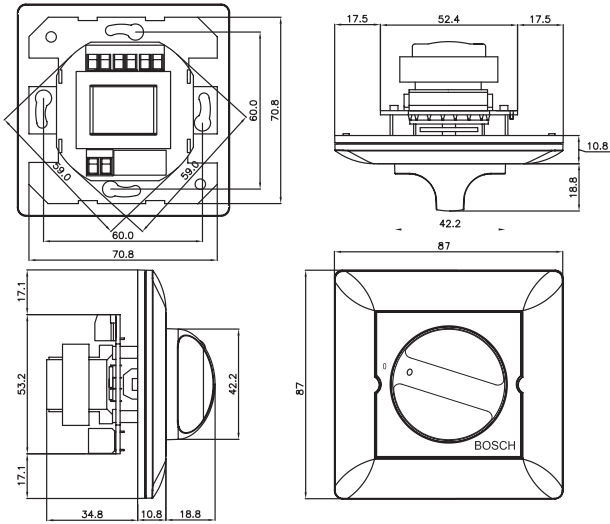
Interconnections

Screw connections

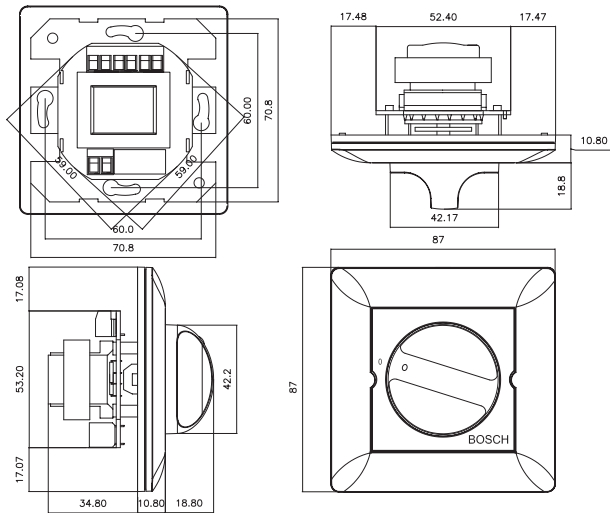
Certifications and approvals

Safety	acc. to EN 60065
Self-extinguishing	acc. to UL 94 V0

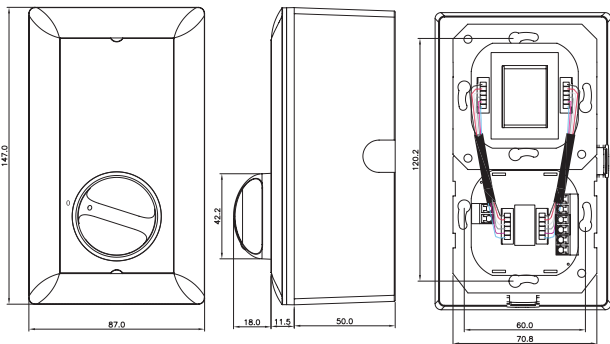
Installation/configuration notes



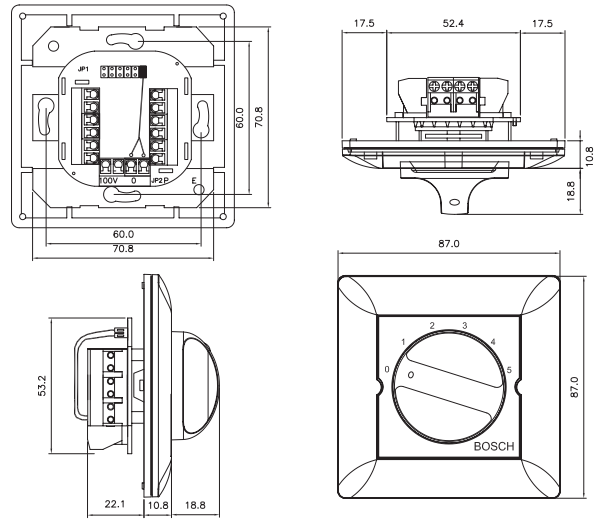
LBC 1400/10 and LBC 1400/20 dimensions in mm



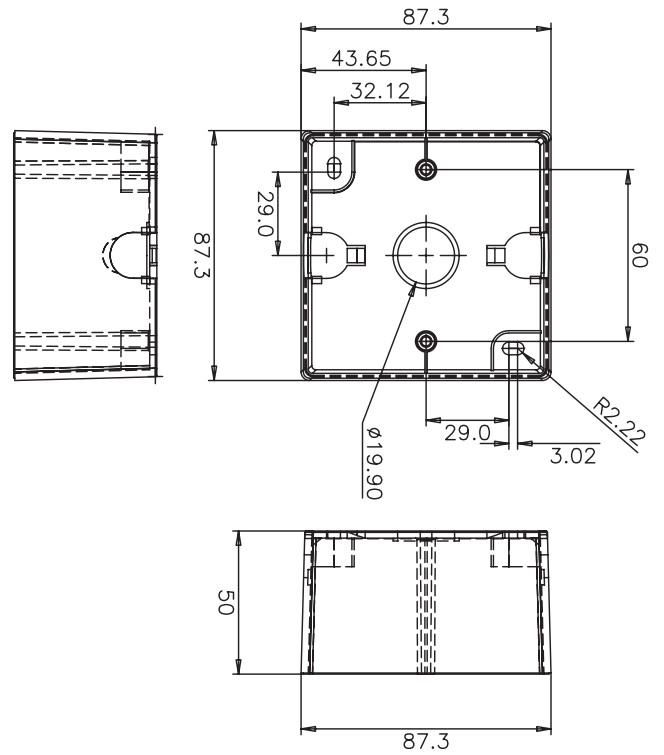
LBC 1410/10 and LBC 1410/20 dimensions in mm



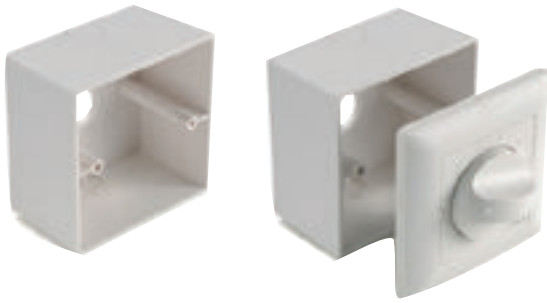
LBC 1420/10 and LBC 1420/20 dimensions in mm



LBC 1430/10 dimensions in mm

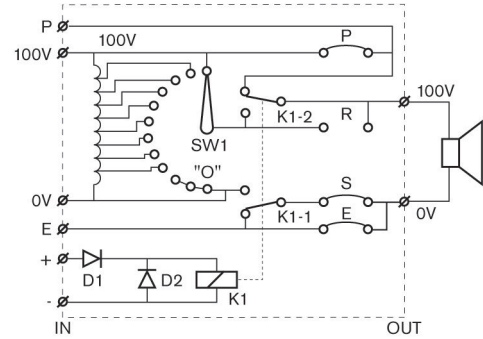


LM1-SMB-MK dimensions in mm

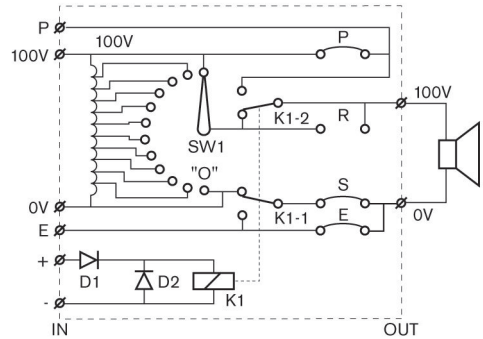


LM1-SMB-MK detail

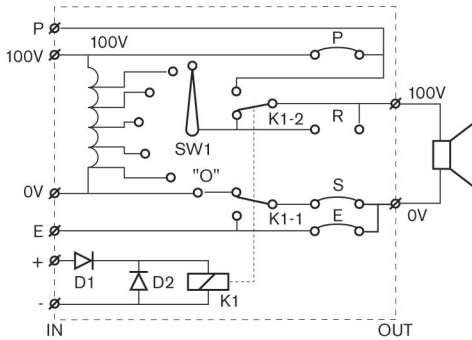
LBC 1410/10 circuit diagram



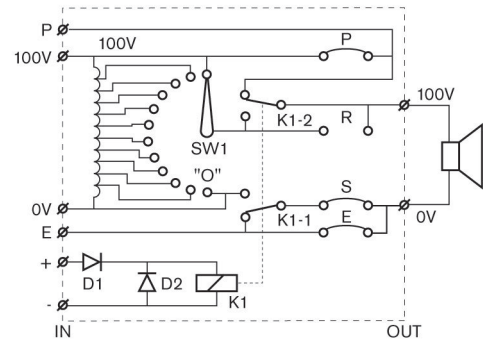
LBC 1410/20 circuit diagram



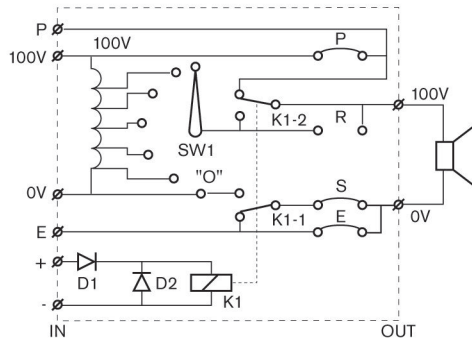
LBC 1400/10 circuit diagram



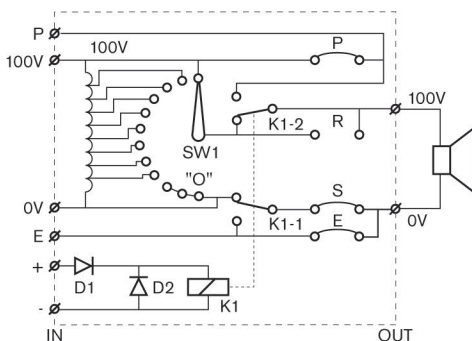
LBC 1420/10 circuit diagram

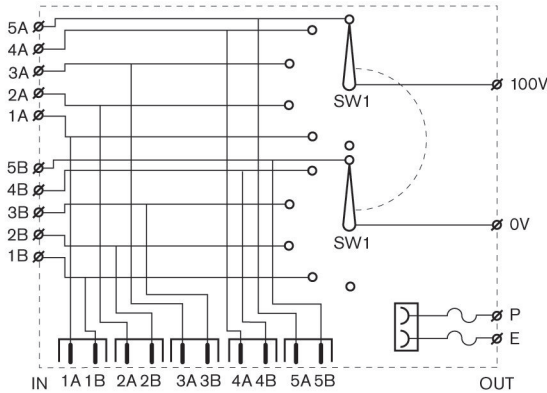


LBC 1400/20 circuit diagram



LBC 1420/20 circuit diagram





LBC 1430/10 circuit diagram

Technical specifications

Electrical

LBC 1400/10 and /20	
Rated power	12 W
Input voltage	100 V
Attenuation steps	5 x 3 dB + off
Frequency response	50 Hz to 20 kHz (-1 dB)
THD	<0.5%
Current consumption	20 mA at 24 VDC
LBC 1410/10 and /20	
Rated power	36 W
Input voltage	100 V
Attenuation steps	8 x 3 dB + off
Frequency response	50 Hz to 20 kHz (-1 dB)
THD	<0.5%
Current consumption	20 mA at 24 VDC
LBC 1420/10 and /20	
Rated power	100 W
Input voltage	100 V
Attenuation steps	10 x 2 dB + off
Frequency response	50 Hz to 20 kHz (-1 dB)
THD	<0.5%
Current consumption	20 mA at 24 VDC
LBC 1430/10	
Rated power	100 W
Input voltage	100 V
Number of programs	5 programs + off

Mechanical

LBC 1400/10 and /20	
Dimensions (W x H x D)	87 x 87 x 45.6 mm
Weight	226 g
Color	White (RAL 9010)
LBC 1410/10 and /20	
Dimensions (W x H x D)	87 x 87 x 45.6 mm
Weight	227 g
Color	White (RAL 9010)
LBC 1420/10 and /20	
Dimensions (W x H x D)	87 x 147 x 61.5 mm
Weight	512 g (including surface mounting box)
Color	White (RAL 9010)
LBC 1430/10	
Dimensions (W x H x D)	87 x 87 x 32.9 mm
Weight	125 g
Color	White (RAL 9010)
LM1-SMB-MK	
Dimensions (W x H x D)	87.3 x 87.3 x 50 mm
Weight	73 g
Color	White (RAL 9010)

Environmental

Operating temperature	-10 °C to +55 °C (+14 °F to +131 °F)
Storage temperature	-40 °C to +70 °C (-40 °F to +158 °F)
Relative humidity	<95%

Ordering information

LBC 1400/10 Volume Control

Volume control 12 W, MK installation type, built-in 24 VDC override relay, power-save version, 5 attenuation steps of 3 dB and off, white RAL 9010. Order number **LBC1400/10**

LBC 1400/20 Volume Control

Volume control 12 W, MK installation type, built-in 24 VDC override relay, failsafe version, 5 attenuation steps of 3 dB and off, white RAL 9010. Order number **LBC1400/20**

LBC 1410/10 Volume Control

Volume control 36 W, MK installation type, built-in 24 VDC override relay, power-save version, 8 attenuation steps of 3 dB and off, white RAL 9010. Order number **LBC1410/10**

LBC 1410/20 Volume Control

Volume control 36 W, MK installation type, built-in 24 VDC override relay, failsafe version, 8 attenuation steps of 3 dB and off, white RAL 9010.
Order number **LBC1410/20**

LBC 1420/10 Volume Control

Volume control 100 W, MKD/E2 installation type, built-in 24 VDC override relay, power-save version, 10 attenuation steps of 2 dB and off, white RAL 9010, supplied with surface mounting box.
Order number **LBC1420/10**

LBC 1420/20 Volume Control

Volume control 100 W, MKD/E2 installation type, built-in 24 VDC override relay, failsafe version, 10 attenuation steps of 2 dB and off, white RAL 9010, supplied with surface mounting box.
Order number **LBC1420/20**

LBC 1430/10 Program Selector

Program selector, MK installation type, 5 channel selection, white RAL 9010.
Order number **LBC1430/10**

Accessories

LM1-SMB-MK

Surface mounting box for volume controls LBC1400/10, LBC1400/20, LBC1410/10, LBC1410/20, and Program Selector LBC1430/10, white RAL 9010.
Order number **LM1-SMB-MK**

Represented by:

Americas:

Bosch Security Systems, Inc.
12000 Portland Avenue South
Burnsville MN 55337, USA
Phone: +1-800-392-3497
Fax: +1-800-955-6831
audiosupport@us.bosch.com
www.boschsecurity.com

Europe, Middle East, Africa:

Bosch Security Systems B.V.
P.O. Box 80002
5617 BA Eindhoven, The Netherlands
Phone: + 31 40 2577 284
Fax: +31 40 2577 330
emea.securitysystems@bosch.com
www.boschsecurity.com

Asia-Pacific:

Robert Bosch (SEA) Pte Ltd, Security Systems
11 Bishan Street 21
Singapore 573943
Phone: +65 6571 2808
Fax: +65 6571 2699
apr.securitysystems@bosch.com
www.boschsecurity.asia

China:

Bosch (Shanghai) Security Systems Ltd.
201 Building, No. 333 Fuquan Road
North IBP
Changning District, Shanghai
200335 China
Phone +86 21 22181111
Fax: +86 21 22182398
www.boschsecurity.com.cn

America Latina:

Robert Bosch Ltda Security Systems Division
Via Anhanguera, Km 98
CEP 13065-900
Campinas, Sao Paulo, Brazil
Phone: +55 19 2103 2860
Fax: +55 19 2103 2862
latam.boschsecurity@bosch.com
www.boschsecurity.com