

ISP-MCLS3-U110S LSN bolt contact, window, VdS-C



- ▶ Window bolt contact for closure monitoring
- ▶ VdS class B/EN 50131-2-6 Grade 2
- ▶ Tamper switch
- ▶ Head-on flush mounting
- ▶ LSN perimeter protection

For monitoring window closure.

Regulatory information

Region	Regulatory compliance/quality marks	
Europe	CE	[ISP-MCLS3-U110S, ISP-MCOLS3-U110S, ISP-RSC2-110S, ISP-RSC3-S110]
	EN50131	G113514 [ISP-MCLS3-U110S]
Russia	GOST	TC N RU Д-НЛ.МН09.В.00334 EAC
Germany	VdS	G113514 [ISP-MCLS3-U110S]
	VdS	G111020 [ISP-MCB3-FP110]

Installation/configuration notes

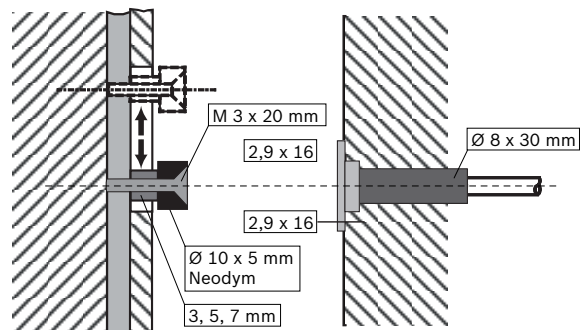
Monitoring variants in accordance with VdS

- Closure monitoring cl. C
- Opening monitoring cl. B
- Combined opening and closure monitoring cl. B

Installation information

- The bolt contact is installed head-on.
- Neither the contact nor the magnets may be installed in ferromagnetic materials.
- The contacts are generally installed in the door or window frames with the magnet in the window or in the door.
- The bolt contact can only switch or report to the intrusion alarm system panel that the window is locked when the mechanical lock is 50% engaged.

Installation layout



Connecting LSN contacts

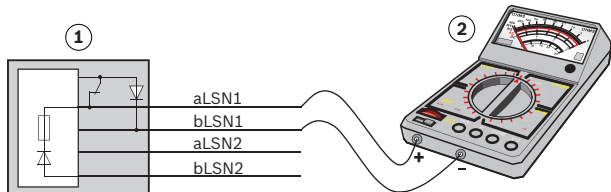
- Each LSN contact is a physical LSN element (1 out of 127 possible per loop).
- The length of LSN contact connection cables must be included when planning the total line length of the LSN loop, as LSN technology is incorporated in these detectors.
- Passive coupling elements for connecting the connection cables to the installation cable must be positioned as close as possible to the LSN contacts, as a 1-m connection cable with 2-m LSN cable length is included in the calculation of the LSN cable length (LSN is fed into the contacts and back out again).
- Connector boxes (optional) are classified as installation material.

LSN (Local Security Network)

In the event of wire breakage or short-circuits, all LSN elements in the LSN loop continue to be monitored. In this case, the system automatically creates two stub lines that continue to monitor from both sides up to the location of the fault.

Testing LSN contacts

- Reed switch and microswitch functions can be checked before installation using a high-Ohm multimeter or continuity checker (for diode paths).
- The resistance values are approximate values; a large change in resistance is significant.



- 1 LSN magnetic contact
- 2 High-ohm multimeter
Contact open: approx. 3 MOhm
Contact closed: approx. 1 MOhm

Only the intrusion contact can be checked in this way. The tamper switch of the class C magnetic contact can be checked in conjunction with the LSN control panel or using the LSN testing device (software version 3.x onward).

Parts included

Quantity	Component
1	Magnetic contact incl. installation flange, magnet, magnet cover, spacers, and mounting screws

Technical specifications

Switch dimension	Diameter: 8 mm x 30 mm
Magnet	Diameter: 10 mm x 3.6 mm x 5 mm (neodymium)
Reed contacts	Normally open contact
LSN operating voltage	15 to 33 V
Current consumption	0.4 mA

Represented by:

Europe, Middle East, Africa:
Bosch Security Systems B.V.
P.O. Box 80002
5600 JB Eindhoven, The Netherlands
Phone: + 31 40 2577 284
www.boschsecurity.com/xc/en/contact/
www.boschsecurity.com

Germany:
Bosch Sicherheitssysteme GmbH
Robert-Bosch-Ring 5
85630 Grasbrunn
Tel.: +49 (0)89 6290 0
Fax: +49 (0)89 6290 1020
de.securitysystems@bosch.com
www.boschsecurity.com

North America:
Bosch Security Systems, LLC
130 Perinton Parkway
Fairport, New York, 14450, USA
Phone: +1 800 289 0096
Fax: +1 585 223 9180
onlinehelp@us.bosch.com
www.boschsecurity.com

Asia-Pacific:
Robert Bosch (SEA) Pte Ltd, Security Systems
11 Bishan Street 21
Singapore 573943
Phone: +65 6571 2808
Fax: +65 6571 2699
www.boschsecurity.com/xc/en/contact/
www.boschsecurity.com

Switch tolerance	≥ 10 ⁷
Environmental class	VdS: III – EN: IIIa
Temperature range	-40 °C to +70 °C
Protection category	IP 67
Colors	White (RAL 9003)
Connection cable	LiY(St)Y 4 x 0.22 mm ²
Cable length	Standard length 4 m; maximum length 25 m

VdS class	
• Combined opening and closure monitoring	B
• Opening monitoring	B
• Closure monitoring	C

Ordering information

ISP-MCLS3-U110S LSN bolt contact, window, VdS-C
For monitoring window closure, tamper surveillance, head-on flush mounting
Order number **ISP-MCLS3-U110S | F.01U.275.634**