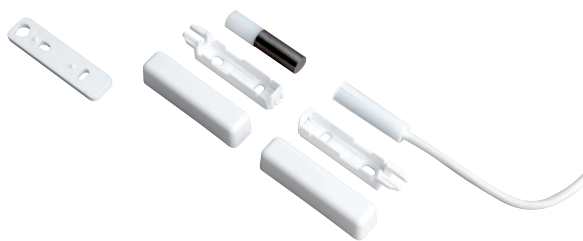


MSA-LZS Surface-Mount Magnetic Contact

www.boschsecurity.com



BOSCH
Invented for life



- ▶ Conventional surface-mount magnetic contact
- ▶ VdS class C
- ▶ Tamper switch
- ▶ Parallel or head-on surface mounting
- ▶ Conventional perimeter protection

Conventional magnetic contacts are used for opening surveillance of windows and doors.

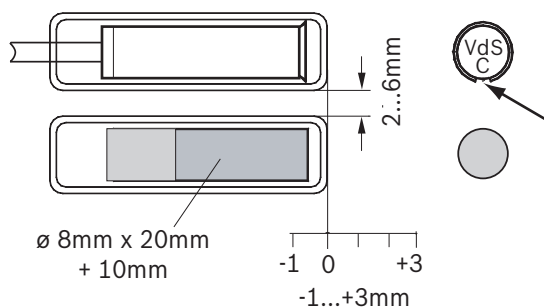
Certifications and approvals

Region	Certification	
Germany	VdS	G 191100, C MS/MSA-LZS G 191100
Europe	CE	MSA-LZS

Installation/configuration notes

Installation notes

- Installation can be parallel or head-on.
- The AG 4 surface mounting housing makes it possible to install on ferromagnetic materials.



- 1 Contact
- 2 Magnet
- 3 AG4 surface mounting housing
- 4 Plastic part
- 5 Offset in the axial direction
- 6 Warning! The adjustment mark must point to the magnet.

Parts included

Type	Quant.	Component
MSA-LZS	1	Surface-mount magnetic contact with magnet incl. 6 m cable and AG4 surface mounting housing with accessories

Technical specifications

Type of installation	Surface mount, parallel or head-on
Contact	Normally open contact/toggle switch
Permitted contact load	≤ 3 Watt
Switching current	10 A to 100 mA

Switching voltage max.	≤ 30 V ₋
Switch tolerance	≥ 10 ⁷
Magnet	AlNiCo 500
Switch dimension:	43 x 12 x 12 (mm)
Magnet dimension:	Ø 8 mm x 20 mm
Parallel installation distance:	2 to 6 mm
Temperature range	-25 °C to +70 °C
Connection cable	6 m, LiYY 4 x 0.14 mm
Protection type	IP68

Ordering information

MSA-LZS Surface-Mount Magnetic Contact

For release monitoring of windows and doors, tamper surveillance, parallel or head-on surface mounting
Order number **4998133931**

Represented by:

Americas:

Bosch Security Systems, Inc.
130 Perinton Parkway
Fairport, New York, 14450, USA
Phone: +1 800 289 0096
Fax: +1 585 223 9180
security.sales@us.bosch.com
www.boschsecurity.us

Europe, Middle East, Africa:

Bosch Security Systems B.V.
P.O. Box 80002
5617 BA Eindhoven, The Netherlands
Phone: + 31 40 2577 284
Fax: +31 40 2577 330
emea.securitysystems@bosch.com
www.boschsecurity.com

Asia-Pacific:

Robert Bosch (SEA) Pte Ltd, Security Systems
11 Bishan Street 21
Singapore 573943
Phone: +65 6571 2808
Fax: +65 6571 2699
apr.securitysystems@bosch.com
www.boschsecurity.asia

China:

Bosch (Shanghai) Security Systems Ltd.
203 Building, No. 333 Fuquan Road
North IBP
Changning District, Shanghai
200335 China
Phone +86 21 22181111
Fax: +86 21 22182398
www.boschsecurity.com.cn

America Latina:

Robert Bosch Ltda Security Systems Division
Via Anhanguera, Km 98
CEP 13065-900
Campinas, Sao Paulo, Brazil
Phone: +55 19 2103 2860
Fax: +55 19 2103 2862
latam.boschsecurity@bosch.com
www.boschsecurity.com